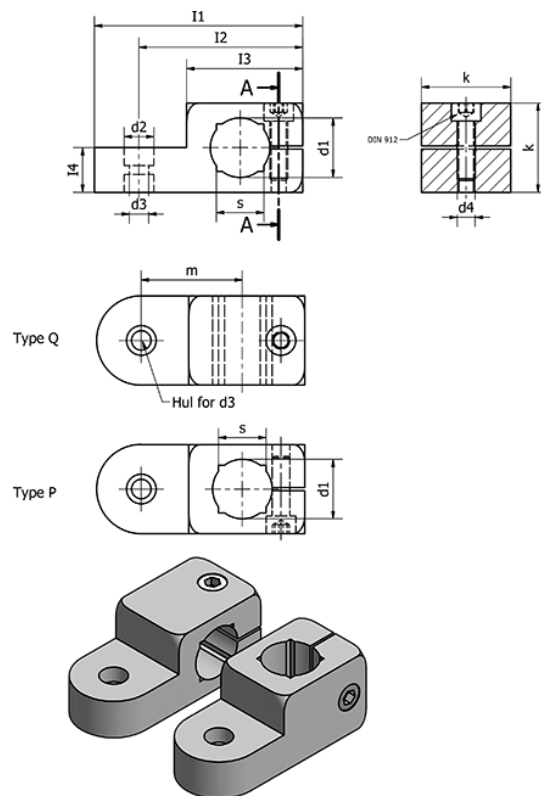


Data Sheet



Article number: 20482B2030QMT
 Description: E+G Swivel clamp
 GN 482-B20-30-Q-MT

Measures



	= -	l1	= 70
	= -	l3	= 55
Clamping kit for d3 = GN 511.1-M6-30-S/K		l4	= 15
Clamping kit for d4 = GN 511-M6-30		k	= 30
d1	= 20	m	= 33.5
d2	= 10	s	= 16
d3	= 6.5	Weight (g)	= 100
d4	= M6		